

High resolution two-color printer

HRP R32



ACCESSORIES FOR PERFECT TRACEABILITY

Associated with the printer HRP, it warrants a perfect traceability of your secondary packaging;

ENCODER:

In connection with your printer, can continuously measure the speed of the conveyor and ensures a perfect bar code printing.

BAR CODE READER ONLINE:

It ensures that 100% of printed bar codes are proofread.

MICROMETRIC STANDS:

For millimetric adjustment of your installation.

PANTOGRAPH:

Optimize the positioning of the print head upon arrival of the support to be marked.

OTHERS ACCESSORIES AVAILABLE:

SOUND AND LUMINOUS ALARM:

Warns of a possible problem on the line.

HAND-HELD BAR CODE SCANNER:

Allows manual proofreading barcodes or sending and selection of messages for your printer.



- ✓ Two colors printing
- ✓ Easy and fun
- ✓ Ecological
- ✓ Reliable and economical



barcode online reader



shaft encoder



micrometric stand

In standard, different HRP versions are available

- ✓ For more flexibility
 - HRP R32: print a message in 2 colors as easily.
 - HRP Mono: print a message from a height of 50 to 200 mm with one or two printing station.
 - HRP Duo, 2 printers in 1: print two independent messages from 50 to 200 mm.
- ✓ For rapid integration
 - Standard version: will meet the most of your needs.
 - Omilic version: put the print head in (almost) any position, it adapts to your integration constraints.
 - First version: designed to operate in autonomous position.
 - Upper version: includes all the necessary connectivity for proper operation in connection with your database or ERP system.



ELLIPSIS
Ellipsis is a software solution that allows creating your own messages on your PC and then transferring them to the printer HRP.



We are able to offer you integrated printers to your production lines that perfectly correspond to your needs.

We can also develop software applications tailor-made for your network. For example, we created a specific application called Rosetta for the world leader for identification software CODESOFT.



This application allows you to take control of a Hitachi printer or laser coder Macsa using your printer HRP.

CONTACT :
TIFLEX
CS 30200 - 01450 PONCIN France
Tel : +33 (0)4 74 37 33 80/97
Fax : +33 (0)4 74 37 33 62
international@tiflex.fr



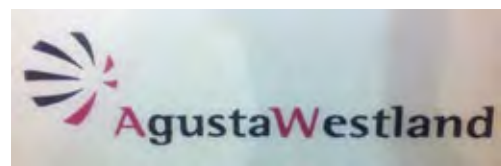
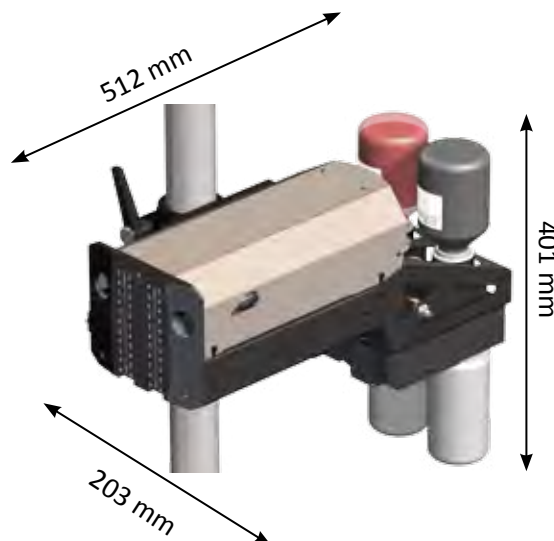
Scan this code and discover our website!

www.tiflex.com/solutions-gb-mic.html

Technical specifications

	HRP R32 500	HRP R32 1000
CONFIGURATION SYSTEM	Processor: 1 GHz – 256 MB SDRAM, PCI bus Internal or external tachometer Standard 3 m cable, optionally up to 30 m	
	Printing length up to 10m thanks to layer system (8 x 1.25m)	
	1 to 4 50 mm height print heads per central unit	1 to 4 100 mm height print heads per central unit
PRINT HEAD	2 colours printing Vertical resolution 192 dpi Horizontal resolution 50 to 300 dpi Automatic purge system Head-carton distance 3 mm Detector cell (beam length adjustable up to 60 cm) Purged ink recovery Print speed up to 200 m/min, depending on resolution Available colours black, red, green and blue	
USER INTERFACE	15" tft colour graphics touch screen Windows® XPE Dynamics software for print management and creation of configurations and messages, with fixed and variable text, time stamps, counters, shift codes, line numbers, graphics (BMP and JPEG formats), bar codes (EAN8, EAN13, GS1-128, DATAMATRIX, ITF, ITF14, ITF14 light, CODE39 (full ASCII), CODE128) and geometrical shapes XML message format Windows® TrueType fonts Unicode printing Import and Export functions for messages, configurations, graphics and fonts via USB ports and network links 160 GB HARD DISK	
CONSUMABLES	Oil based ink without additive High-contrast ink in 500 ml containers, printing plate cleaner Cleaning sticks, print head cleaning cloths 4 colors	
NETWORK CONNECTIONS	RS 232 serial link, Ethernet, TCP/IP. USB port for import/export of messages and graphics 16 5-volt inputs/outputs 12 V – 10 W alarm control	
ENVIRONMENT	Main power 115/230 V, 50-60 Hz EMC and safety certification Operating temperature 10 to 40 °C Relative humidity (non-condensing) 10 to 90 % IP 52 (other IP versions on request) Codesoft and Nicelabel via special software tool	

HRP R32



On wood



On cardboard

